

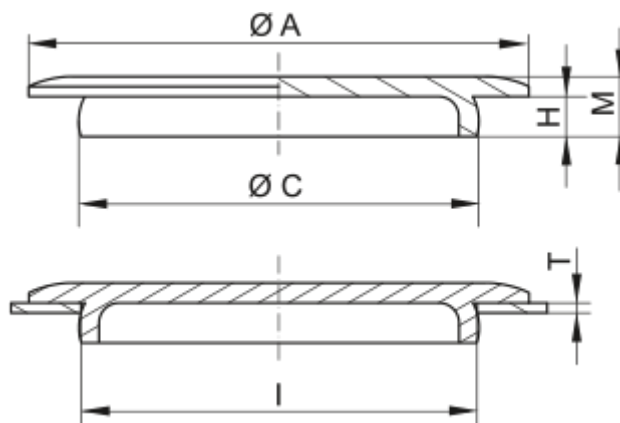
Data Sheet



Article number: 59GPN9103097

Description: KLEE Universal flat design GPN 910 - 50 (Wall thickness 1)

Measures



A = 55

C = 50.6

H = 4

I = 50

M = 6

T = 1